



**RFP-19-PG-003**  
**Air Conditioning Technology Building Renovation**  
**SUBMITTAL DUE DATE: Monday, June 10, 2019 at 2:00 PM**

**ADDENDUM # 1**

**Addendum: Question and Answer**

Attached are a set of questions from interested proposers with answers. All other aspects of the proposal remain the same. The following information becomes a permanent part of the RFP.

**Question #1:** What is the finish on the windows for rooms 107 & 108?

A: **Windows will need to be mill finished, anodized frame.**

**Question #2:** Does the hallway in 101A need to be painted?

A: **Yes, the wall and trim need to be painted.**

**Question #3:** What is the estimated construction cost?

A. **We do not offer that information.**

**Question #4:** Did the pre-bid meeting scheduled yesterday 05/22/2019 at 10:00 AM CST happen?

A. **Yes.**

**Question #5:** Do you have a copy of the Pre-bid Sign in Sheet available?

A. **Yes, request for copy of Pre-bid sign sheet needs to be requested by email to Pedro Guardiola [Pedro.guardiola@tstc.edu](mailto:Pedro.guardiola@tstc.edu)**

**ADDENDUM # 1 - Continues**

**Questions #6: Have you issued any addenda for this project? Can I ask for a copy?**

- A. Yes, Copy of addenda will be posted on June 03, 2019 as stated on page 5 - 1.5 (Schedule of Events). Addendum can be downloaded on the ESD (Electronic State Business Daily) website and TSTC procurement website.

**Question #7: Please provide glass specification required for the installation in 5' x 6' Glass Window.**

- A. 1/4" tempered glass with anodized 1 3/4" x 4 1/2" frame. This frame will fit over and cover the 4" channel iron.

**Question #8: In room 107 & 108 provide detail for the 4" channel that need to be installed in perimeter of the window opening?**

- A. See attached drawing. The channel iron will be anchored to the center of the wall opening and welded at each corner.

**Question #9: In room 107 & 108 provide door glass panel specification.**

- A. 1/4" tempered glass with metal frame.

Pedro Guardiola, CTPM

Phone: (956) 364-4428

Email: [pedro.guardiola@tstc.edu](mailto:pedro.guardiola@tstc.edu)

**In submission of this proposal, bidder must acknowledge receipt of this addendum, otherwise proposal will not be given consideration. Proposer must acknowledge receipt by including a copy of this notice with submittal.**

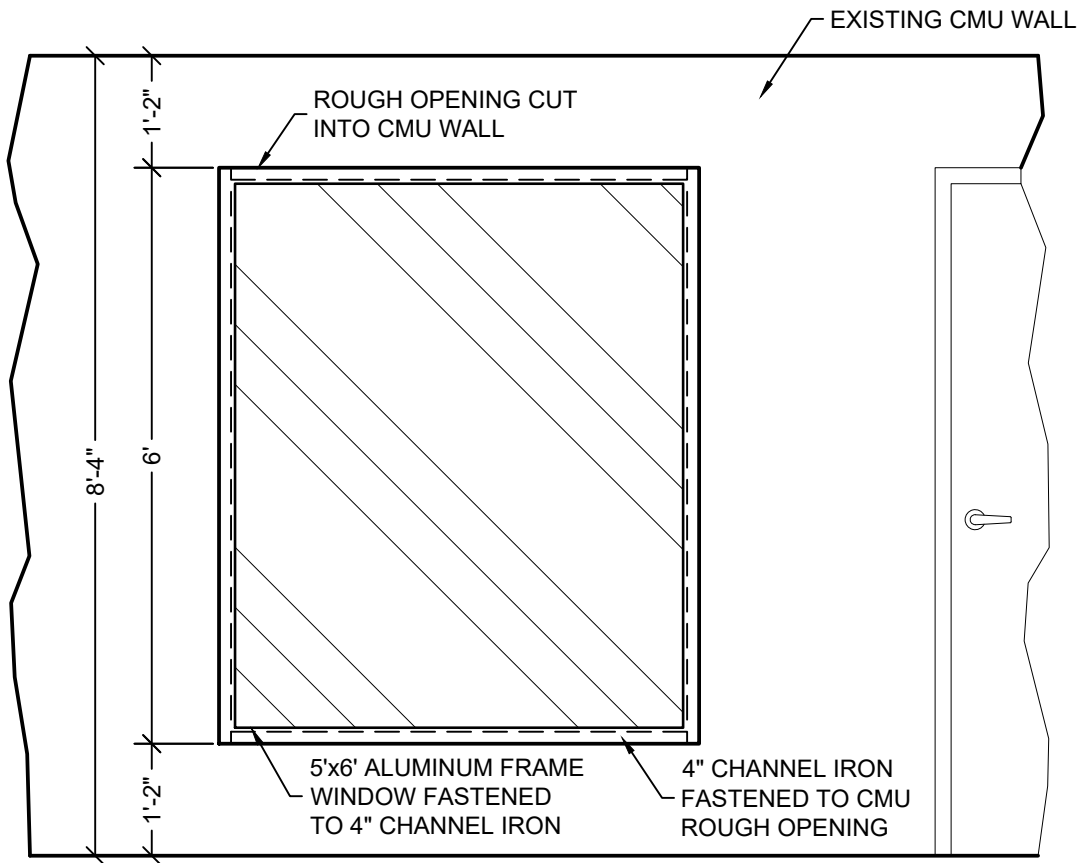
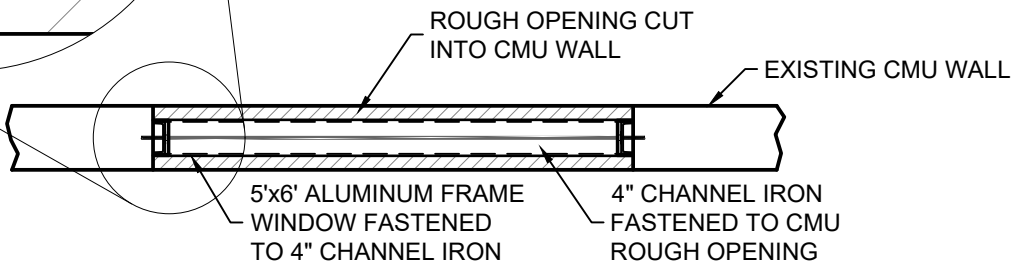
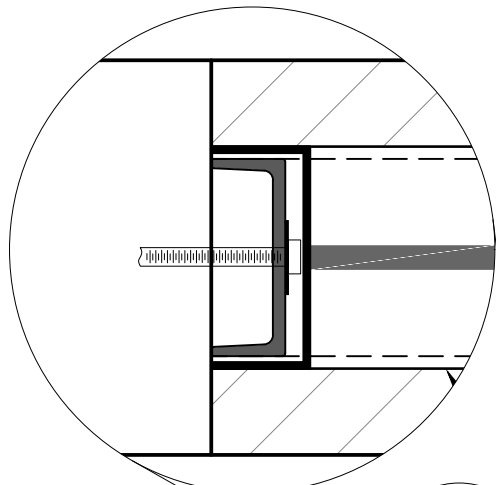
**Proposer Signature** \_\_\_\_\_

**Printed Name** \_\_\_\_\_

**Vendor Name** \_\_\_\_\_

**Vendor Identification Number** \_\_\_\_\_

**Date:** \_\_\_\_\_



Proposed ACT Renovations for

**TSTC Waco**

3801 Campus Dr. Waco, TX 76705

**New Window Detail**

SHEET 1 of 1

Scale: 1/2" = 1'-0"

DRAWN BY: M. Schumacher

DATE: 05/24/2019

